

THIS DOCUMENT HAS BEEN DIGITALLY SIGNED AND SEALED BY:

Brian Egli
2024.02.28 11:44:42 -06'00'
PRINTED COPIES OF THIS DOCUMENT ARE NOT CONSIDERED SIGNED AND SEALED. THE SIGNATURE MUST BE VERIFIED ON THE ELECTRONIC DOCUMENTS.

TENNESSEE DEPARTMENT OF TRANSPORTATION
505 DEADERICK STREET, SUITE 1200
NASHVILLE, TN 37243
BRIAN K. EGLI, P.E. NO. 107196

THE ABOVE NAMED PROFESSIONAL ENGINEER SHALL BE RESPONSIBLE FOR THE FOLLOWING SHEETS IN ACCORDANCE OF TENN. CODE ANN. §62-2-306.

SHEET NAME _____ **SHEET NO.** _____
SIGNATURE SHEET _____ STRUCTURE-SIGN 3
BRIDGE PLANS _____ B1, B3 & B4


YEAR	PROJECT NO.	SHEET NO.
2024	19I024-M3-010	STRUCTURE-SIGN 3

REVISIONS			
NO.	DATE	BY	BRIEF DESCRIPTION
1	2-28-24	BE	ADDED SHEETS & REVISED SHEETS

STATE OF TENNESSEE
DEPARTMENT OF TRANSPORTATION

 SIGNATURE SHEET

\$\$\$\$SYTIME\$\$\$\$
\$\$\$\$DONSPENC\$\$\$\$

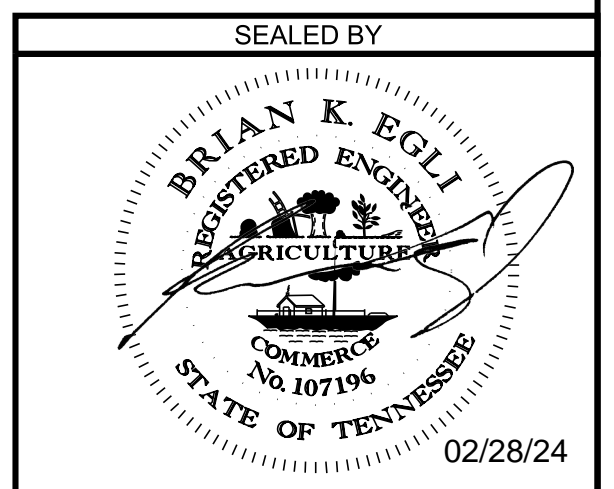
PROJECT NO.	YEAR	SHEET NO.	
19I024-M3-010	2024 	B-1	
REVISIONS			
NO.	DATE	BY	BRIEF DESCRIPTION
1.	1-5-24	B.E.	UPDATED INDEX, CHANGED YEAR
2.	2-28-24	B.E.	UPDATED INDEX, REVISED SHEETS B3 & B4
-	-	-	-
-	-	-	-

INDEX OF DRAWINGS DWG. NO. LAST REV. DATE  

SIGNATURE SHEET	-----	STRUCTURE-SIGN 3	-----	2-28-24
SIGNATURE SHEET	-----	STRUCTURE-SIGN 2	-----	1-5-24
SIGNATURE SHEET	-----	STRUCTURE-SIGN 1	-----	
INDEX OF DRAWINGS	-----	B1	-----	2-28-24
BRIDGE TABULATION, ESTIMATED QUANTITIES AND PLAN VIEW JOINTS REPAIRS LOCATIONS	-----	B2	-----	1-5-24
PHASE CONSTRUCTION	-----	B3	-----	2-28-24
PHASE CONSTRUCTION	-----	B4	-----	2-28-24
SECTION VIEW SLAB THICKNESSES LIMITS	-----	B5	-----	1-5-24
TYPICAL SECTION FOR EXPANSION JOINTS REMOVAL	-----	B6	-----	1-5-24
EXPANSION JOINT REPAIRS DETAILS TYPE "C"	-----	B7	-----	1-5-24

INDEX OF REFERENCE DRAWINGS DWG. NO.

WIDENING PLANS	-----	M-130-1, M-130-4, M-130-7, M-130-9 THRU M-130-12 M-130-16
ORIGINAL PLANS	-----	K-10-81 THRU K-10-88 K-10-126, K-10-128



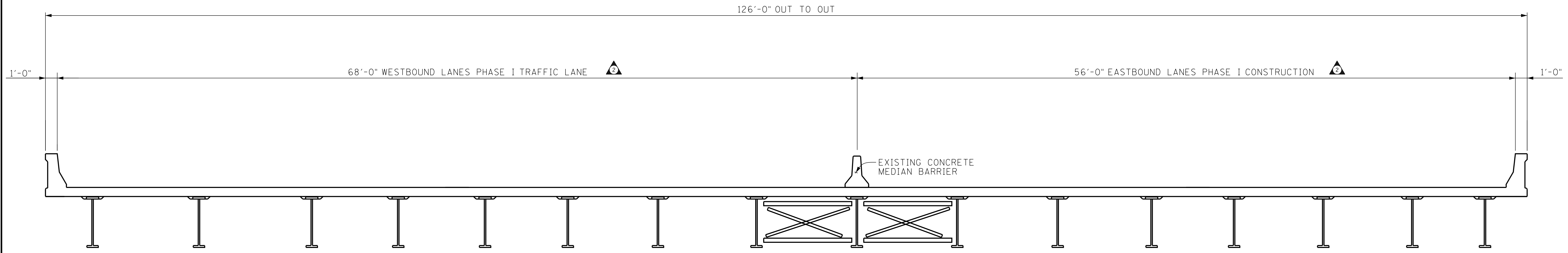
STATE OF TENNESSEE
DEPARTMENT OF TRANSPORTATION
INDEX OF DRAWINGS
19-I 24-13.79 OVER
NORTH FIRST STREET
DAVIDSON COUNTY
2024



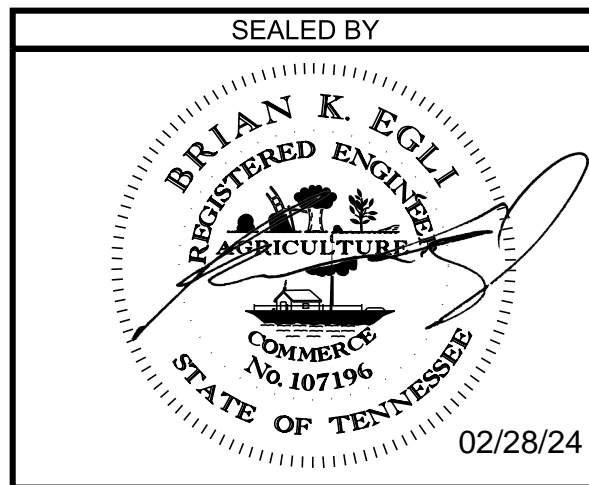
PIN NO.: 131713.00
 DESIGN BY: SILESHI ERGICHO DATE: 09/23
 DRAWN BY: SILESHI ERGICHO DATE: 09/23
 SUPERVISED BY: KEVIN MARTINKO DATE: 09/23
 CHECKED BY: DATE: / /

\$\$\$\$\$ / TIME\$\$\$\$\$
 \$\$\$DGN\$PE C\$\$\$\$\$

PROJECT NO.	YEAR	SHEET NO.	
191024-M3-010	2024 ¹	B-3	
REVISIONS			
NO.	DATE	BY	BRIEF DESCRIPTION
1.	1-5-24	B.E.	CHANGED YEAR
2.	2-28-24	B.E.	PHASE REVISED
-	-	-	-
-	-	-	-



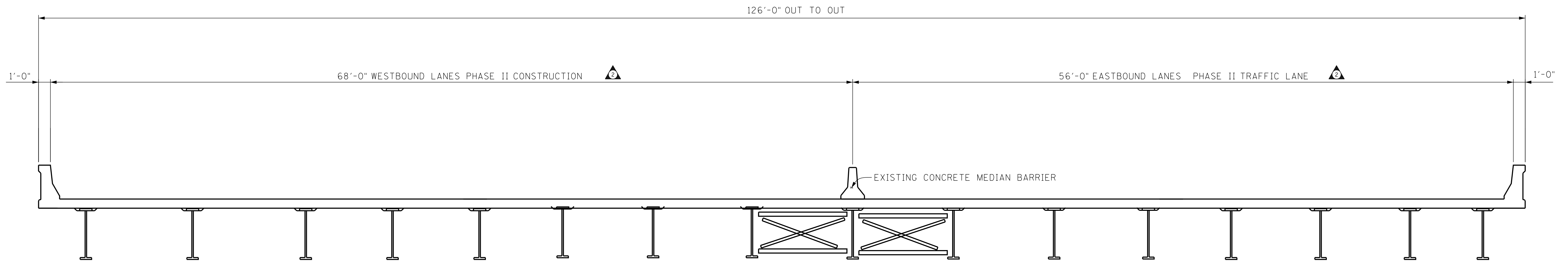
PHASE I CONSTRUCTION-EAST &
WESTBOUND LANES
(LOOKING AHEAD ON SURVEY)



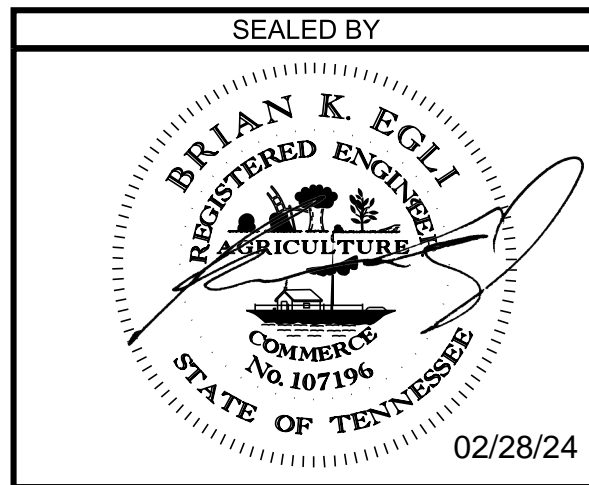
STATE OF TENNESSEE
DEPARTMENT OF TRANSPORTATION
PHASE CONSTRUCTION
19-I 24-13.79 OVER
NORTH FIRST STREET
DAVIDSON COUNTY
2024

PIN NO.: 131713.00
 DESIGN BY: SILESHI ERGICHO DATE: //
 DRAWN BY: SILESHI ERGICHO DATE: 09/23
 SUPERVISED BY: KEVIN MARTINKO DATE: 09/23
 CHECKED BY: DATE: //

PROJECT NO.	YEAR	SHEET NO.	
191024-M3-010	2024	B-4	
REVISIONS			
NO.	DATE	BY	BRIEF DESCRIPTION
1.	1-5-24	B.E.	CHANGED YEAR
2.	2-28-24	B.E.	PHASE REVISED
-	-	-	-
-	-	-	-



PHASE II CONSTRUCTION-EAST &
WESTBOUND LANES
(LOOKING AHEAD ON SURVEY)



STATE OF TENNESSEE
DEPARTMENT OF TRANSPORTATION
PHASE CONSTRUCTION
19-I 24-13.79 OVER
NORTH FIRST STREET
DAVIDSON COUNTY
 2024

PIN NO.: 131713.00
 DESIGN BY: SILESHI ERGICHO DATE: 09/23
 DRAWN BY: KEVIN MARTINKO DATE: 09/23
 SUPERVISED BY: DATE: / /
 CHECKED BY: DATE: / /

\$\$\$\$\$\$TIME\$\$\$\$\$\$
 \$\$\$\$\$\$GNPE\$\$\$\$\$\$